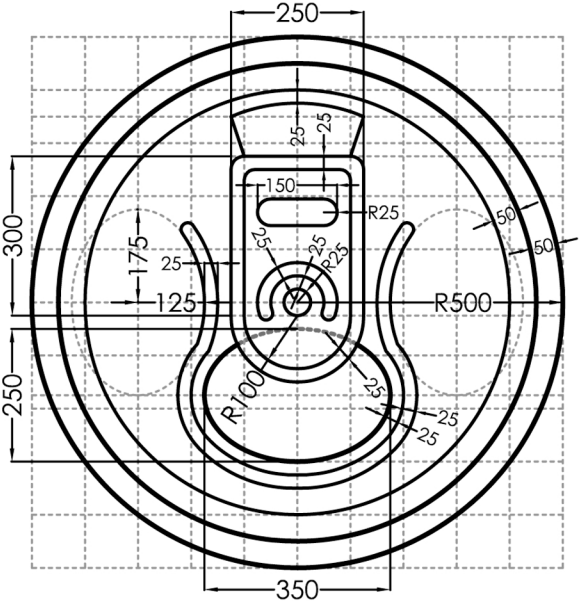
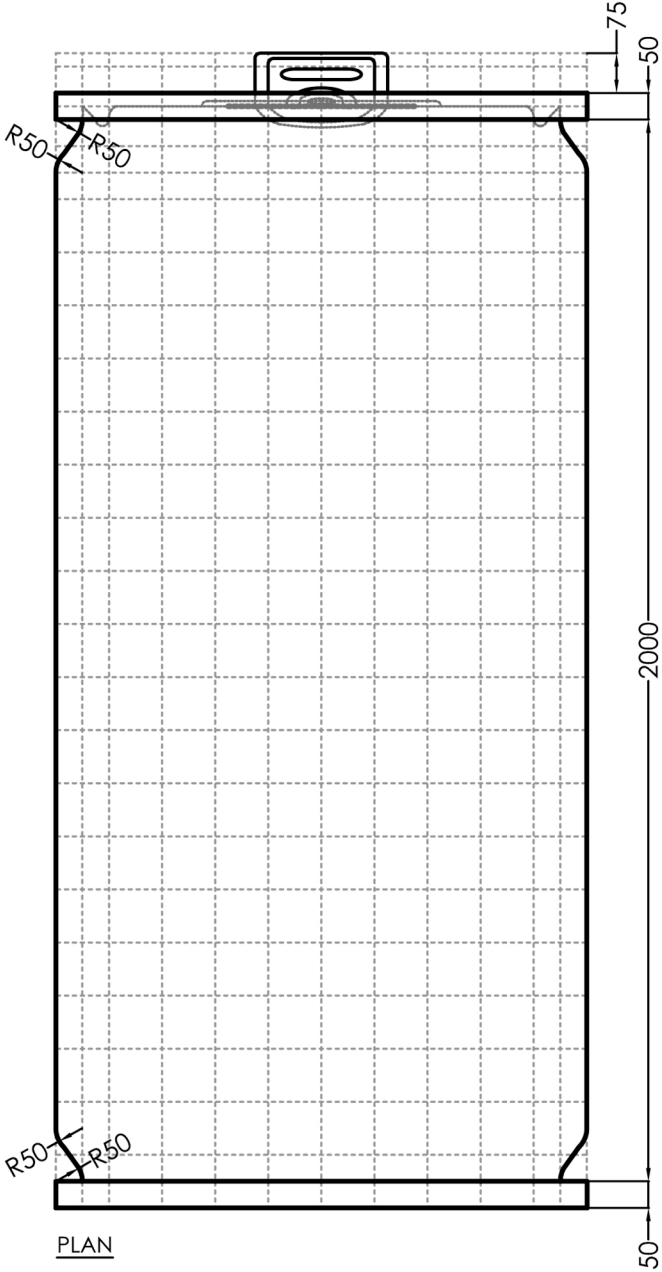


# SODA CAN



SIDE ELEVATION



PLAN